

(No Model.)

C. A. PRECHTEL.  
EGG CASE.

No. 593,404.

Patented Nov. 9, 1897.

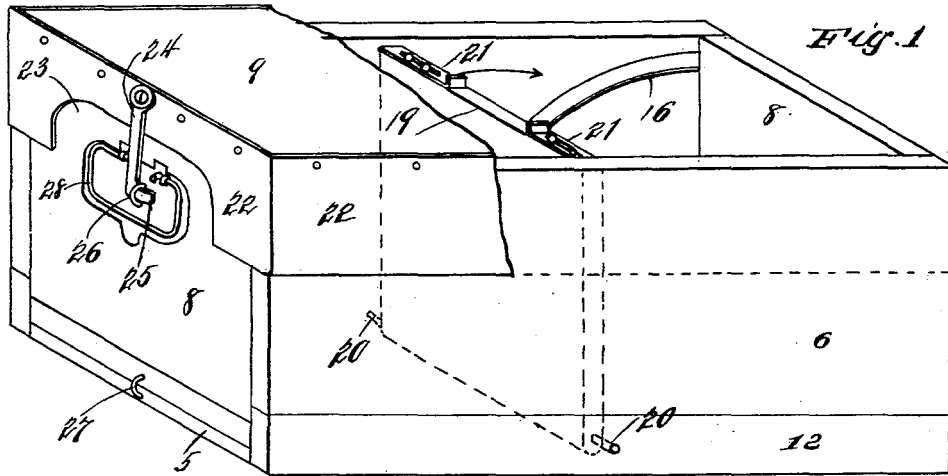


Fig. 1

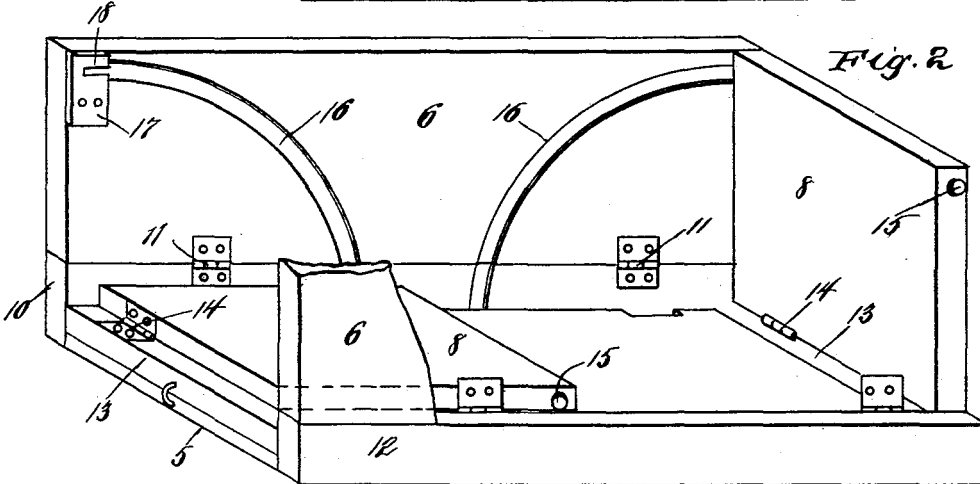


Fig. 2

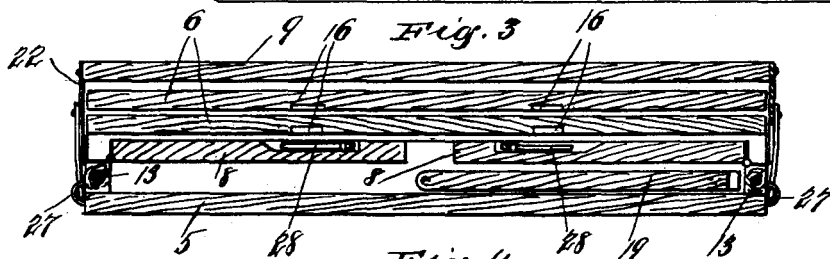


Fig. 3

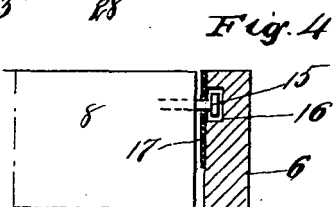


Fig. 4

WITNESSES  
*as per*  
C. Gerst

INVENTOR  
Charles A. Prechtel.  
BY  
Edgar Tate & Co  
ATTORNEYS.

# UNITED STATES PATENT OFFICE.

CHARLES A. PRECHTEL, OF ABBOTT, TEXAS.

## EGG-CASE.

SPECIFICATION forming part of Letters Patent No. 593,404, dated November 9, 1897.

Application filed June 3, 1897. Serial No. 639,258. (No model.)

*To all whom it may concern:*

Be it known that I, CHARLES A. PRECHTEL, a citizen of the United States, residing at Abbott, in the county of Hill and State of Texas, have invented certain new and useful Improvements in Egg-Cases, of which the following is a full and complete specification, such as will enable those skilled in the art to which it appertains to make and use the same.

This invention relates to folding boxes or crates such as are usually employed for packing and shipping eggs and various other articles; and the object thereof is to provide an improved box or crate of this class which is so constructed that the ends and sides thereof may be compactly folded together for shipment when empty, a further object being to provide a box or crate of this class with a folding partition and with a detachable cover which may be applied thereto either when the separate parts of the box or crate are folded together or when in a position for use.

The invention is fully disclosed in the following specification, of which the accompanying drawings form a part, in which—

Figure 1 is a perspective view of my improved box or crate with part of the cover broken away; Fig. 2, a similar view with one of the sides broken away and with one of the ends folded inwardly; Fig. 3, a central longitudinal section showing all the parts of the box or crate folded together and the cover connected therewith, and Fig. 4 a sectional detail of the construction.

In the drawings forming part of this specification the separate parts of my improvement are designated by the same numerals of reference in each of the views, and in the practice of my invention I provide a box or crate of the character herein specified, which comprises a bottom 5, two folding sides 6, and two similar folding ends 8, together with a detachable cover 9, and these parts are of the following construction:

Secured to one side of the bottom 5 is a longitudinal strip 10, to which one of the sides 6 is hinged, as shown at 11, and secured to the opposite side of the bottom 5 is a similar longitudinal strip 12, to which in practice the other side is hinged, and the strip 10 is wider than the strip 12. The ends of the bottom 5

are also provided with similar transverse strips 13, to which the ends 8 are hinged, as shown at 14, and these strips 13 are of the same width and thickness. Each of the end pieces 8 is provided at its upper corners with headed pins 15, and the sides 6 are each provided with circular or segmental slots 16, which extend from the upper corners thereof inwardly and downwardly toward the middle portion of the box or crate, and the headed pins 15, which are secured to the ends 8 of the box or crate, are adapted to move in these slots, and each of the sides is also provided at the upper outer ends of said slots with metal plates 17, which are provided with transverse notches or recesses 18, which are in line with said slots 16, and when the ends 8 are turned outwardly on their hinges at 14 the headed pins 15 move the slots 16 and the heads thereof pass back of the plates 17, so as to lock the ends and sides together.

I also provide a partition-plate 19, which is provided at its opposite ends and at or near the lower side thereof with pins 20, which pass into corresponding holes or openings formed in the strips 10 and 12, and said partition-plate 19 may be raised into an upright position, as shown in Fig. 1, or folded on the bottom 5, as will be readily understood, and the partition-plate 19 is provided on the upper side thereof with sliding plates 21, which are adapted to enter corresponding holes or openings in the upper part of the sides 6, so as to hold said partition-plates in an upright position.

The cover 9 is provided with depending side and end flanges 22, which are adapted to inclose the top of the box or crate, as shown in Fig. 1, and also to inclose the same when the sides and ends are folded together, as shown in Fig. 3, and said end and side flanges are preferably composed of sheet metal, and formed in the lower edges of the end flanges are oblong openings 23, and said cover is also provided at each end with a pivoted arm 24, which is provided at its lower end with a hook 25, which is adapted to engage with a staple or loop 26, secured to the corresponding end of the box or crate, and by this means the cover is locked in position when the box or crate is ready for use, as shown in Fig. 1, and

secured at each end of the box or crate, at the bottom thereof, is another loop or staple 27, in connection with which the hooks 25 of the arms 24 operate when the separate parts of the box or crate are folded together, as shown in Fig. 1.

Each end of the box or crate is also provided with a folding handle 28, and these folding handles are preferably countersunk in said ends, as shown in Figs. 1 and 3, and it will thus be seen that I accomplish the object of my invention by means of a device which is simple in construction and operation and perfectly adapted to produce the result for which it is intended.

The object of making one of the side strips 10 and 12 wider than the other is to provide means whereby said sides may be snugly and compactly folded over the end pieces and whereby one of said sides may be folded over the other, and in practice when the partition-plate 19 is employed the said partition-plate is first folded, as shown in Fig. 3, after which the ends 8 are folded inwardly, and the side 6, which is hinged to the strip 12, is then folded inwardly, and the opposite side 6 is folded together.

The cover 9 may be applied either when the box or crate is in position for use, as shown in Fig. 1, or when the separate parts thereof are folded together, as shown in Fig. 3, and it will be apparent that changes in and modifications of the construction herein described may be made without departing from the spirit of my invention or sacrificing its advantages.

Having fully described my invention, I claim as new and desire to secure by Letters Patent—

1. A box or crate, comprising a bottom, two folding sides, and two folding ends, said bottom being provided at each end with a transverse strip to which the ends are hinged, and at each side with a longitudinal strip, to which the sides are hinged, one of said strips being wider than the other, and said sides being also provided with circular or segmental grooves, and with locking-plates at the outer ends thereof, and said ends being provided with headed pins which move in said grooves, and the heads of which operate in connection

with said plates for locking the sides and ends together.

2. A box or crate, comprising a bottom, two folding sides, and two folding ends, said bottom being provided at each end with a transverse strip to which the ends are hinged, and at each side with a longitudinal strip, to which the sides are hinged, one of said strips being wider than the other, and said sides being also provided with circular or segmental grooves, and with locking-plates at the outer ends thereof, and said ends being provided with headed pins which move in said grooves, and the heads of which operate in connection with said plates for locking the sides and ends together, and said box or crate being also provided with a partition-plate which is pivotally connected therewith near the bottom thereof, and which is adapted to be folded adjacent to the bottom and to be raised and locked into an upright position, substantially as shown and described.

3. A box or crate, comprising a bottom, two folding sides, and two folding ends, said bottom being provided at each end with a transverse strip to which the ends are hinged, and at each side with a longitudinal strip to which the sides are hinged, one of said strips being wider than the other, and said sides being also provided with circular or segmental grooves, and with locking-plates at the outer ends thereof, and said ends being provided with headed pins which move in said grooves, and the heads of which operate in connection with said plates for locking the sides and ends together, and said box or crate being also provided with a cover which is provided with depending side and end flanges or plates, said cover being adapted to inclose the top of the box or crate, and to be locked thereto, substantially as shown and described.

In testimony that I claim the foregoing as my invention I have signed my name, in presence of the subscribing witnesses, this 14th day of May, 1897.

CHAS. A. PRECHTEL.

Witnesses:

A. MCKENNA,  
HUGH DUNN.