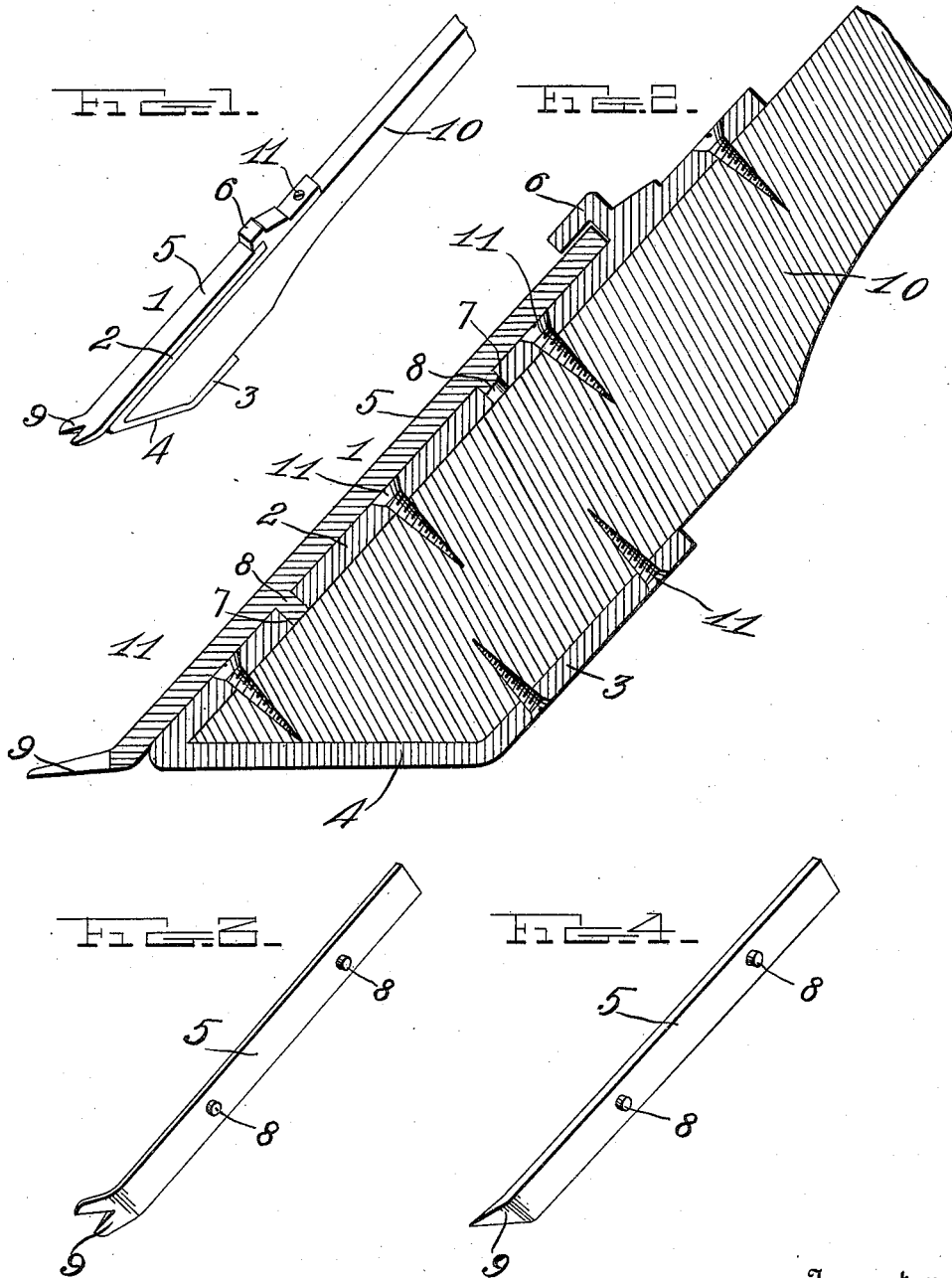


H. B. PORTER.  
 ATTACHMENT FOR LIFTING JACKS.  
 APPLICATION FILED JAN. 8, 1910.

988,208.

Patented Mar. 28, 1911.



Witnesses  
*J. R. Pierce*  
*O. B. Hopkins*

Inventor  
*H. B. Porter*  
 by *A. B. Wilson*  
 Attorneys

# UNITED STATES PATENT OFFICE.

HORTON B. PORTER, OF HILLSBORO, TEXAS.

ATTACHMENT FOR LIFTING-JACKS.

988,208.

Specification of Letters Patent. Patented Mar. 28, 1911.

Application filed January 8, 1910. Serial No. 537,062.

*To all whom it may concern:*

Be it known that I, HORTON B. PORTER, of Hillsboro, in the county of Hill and State of Texas, have invented a new and useful Improvement in Attachments for Lifting-Jacks, of which the following is a specification.

This invention relates to an improved lifting jack.

The object of the invention is to provide a simply constructed, strong and efficient device of this character which may be used for lifting various articles.

With this and other objects in view, the invention consists of certain novel features of construction, combination and arrangement of parts as will be more fully described and particularly pointed out in the appended claim.

In the accompanying drawings; Figure 1 is a perspective view of a lifting jack constructed in accordance with this invention; Fig. 2 is a longitudinal sectional view thereof; Fig. 3 is a perspective view of one form of lifting element; Fig. 4 is a similar view of a slightly modified form.

In the embodiment illustrated, a lifting jack is shown comprising a metal frame 1, composed of laterally spaced parallel bars 2 and 3, connected at one end by an inclined cross bar or end member 4, which is inclined downwardly and inwardly, thereby causing the front end of the upper bar 2 to project some distance beyond the front end of the lower bar 3, to adapt the lifting member 5, which is carried by the bar 2, to be readily engaged with the article to be raised.

The upper bar 2 is preferably longer than the lower bar 3, and is provided on its upper face at any suitable point with a keeper 6, open at its front end to receive the rear end of the lifting member 5 to limit its rearward movement and form a brace therefor. This bar 2 is also provided in advance of said keeper with a plurality of longitudinally spaced apertures as 7, to receive longitudinally spaced laterally extending pins, as 8, which project from the lower face of the member 5, and by means of which and the keeper

6, said member is held in operative position 50 on said bar 2 and may be readily disengaged therefrom when desired. These pins 8 are preferably of a length not greater than the thickness of the bar 2, to prevent the interference of said pins with the handle to be 55 described. This lifting member 5 is preferably constructed as shown, in the form of a flat metal bar having an article engaging member 9 formed on its front end and which may be of any suitable or desired construction to adapt it to the purpose for which it is 60 designed. As shown in Fig. 3, this member 9 is formed by bending the end of the bar 5 at an angle to said bar and bifurcating it to adapt it for use as a nail or spike ex- 65 tractor. In Fig. 4 the end of the bar 5 is similarly bent, but is pointed instead of bifurcated to adapt it to be readily inserted under the article to be lifted.

A handle or operating lever 10, which is 70 preferably constructed of hard wood, has one end shaped to fit between the bars 2 and 3, and is secured thereto in any suitable manner, preferably by screws 11, the heads of which are countersunk in said bars 2 and 75 3. This lever may be of any suitable or desired length to provide a proper leverage.

Any desired number of lifting or article engaging elements may be supplied with each jack, two being here shown. 80

From the foregoing description taken in connection with the accompanying drawings, the construction and operation of the invention may be readily understood without requiring a more extended explanation. 85

Various changes in the form, proportion and the minor details of construction may be resorted to without departing from the principle or sacrificing any of the advantages of the invention, as defined in the appended 90 claim.

I claim as my invention:

In a lifting jack, a frame comprising laterally spaced parallel bars connected at one end by an inwardly inclined member, 95 one of said bars being longer than the other, a keeper on the outer face of the longer bar, said long bar having a plurality of longi-

tudinally spaced apertures therein arranged  
in advance of said keeper, and a lifting  
member having one end adapted for engage-  
ment with said keeper and provided on its  
5 lower face with pins for engagement with  
said apertures, and a lever connected with  
said frame.

In testimony whereof, I have signed my

name to this specification in the presence  
of the subscribing witnesses.

HORTON B. PORTER.

Witnesses:

C. B. JENNINGS,  
THOS. K. PORTER,  
VAN KIRKPATRICK.

---

Copies of this patent may be obtained for five cents each, by addressing the "Commissioner of Patents,  
Washington, D. C."

---